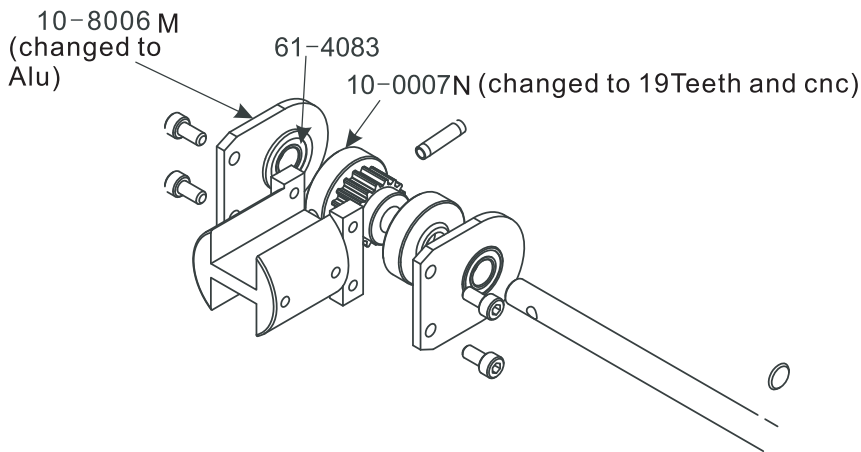


The Recent Update On Warp

1. Because many customer are flying with very high head speeds we decided to do a 19T tail pulley for the stock kits. With that pulley the tail performance is better in higher head speeds and the tail gain increase. For customers flying lower head speeds we still have the 17T Tail pulley as spare. 19T pulley number: 10-0007N, 17T:10-0007.

2. For better controlling the part tolerance, and also avoid fast wearing out on milling tools. we changed tail gear frame 10-8006 into Alu. New part: 10-8006M



3. For harder flying, we redesigned the tail arm mount 10-2001, make it thicker and tougher. New Part: 10-2001A.

